

POLITEK

Banyo



Kitchen Accessories

Handmade By PoliTek

POLITEK
Banyo





About PoliTek

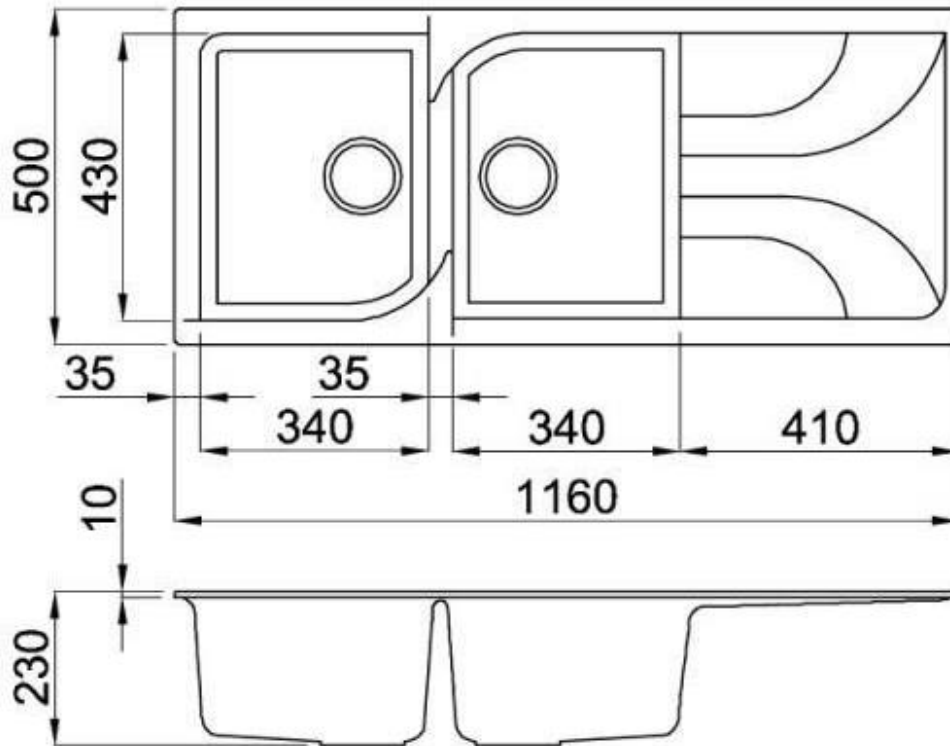
The mixture of craftsmanship and innovative technologies, of quality and a strong position on the global market, of pioneering spirit and a sense of tradition, of passion and know-how is what has melded us over the past decades into what we are today: a continuously growing company that can look back on a long success

Research and development are particularly important to us here. We always venture out into new territory, think differently and love to think outside the box. On our journey we have been and continue to be accompanied by strong partners who stand by us with a great deal of experience and passion and support us in our further evolution.

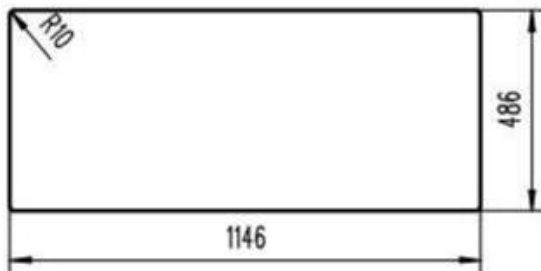
Everlasting Beauty with **POLITEK**



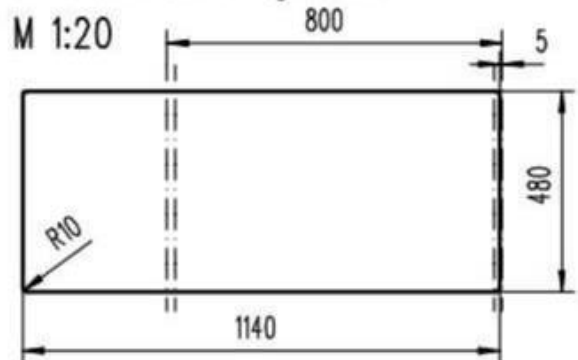
MOD: Nirvana 470

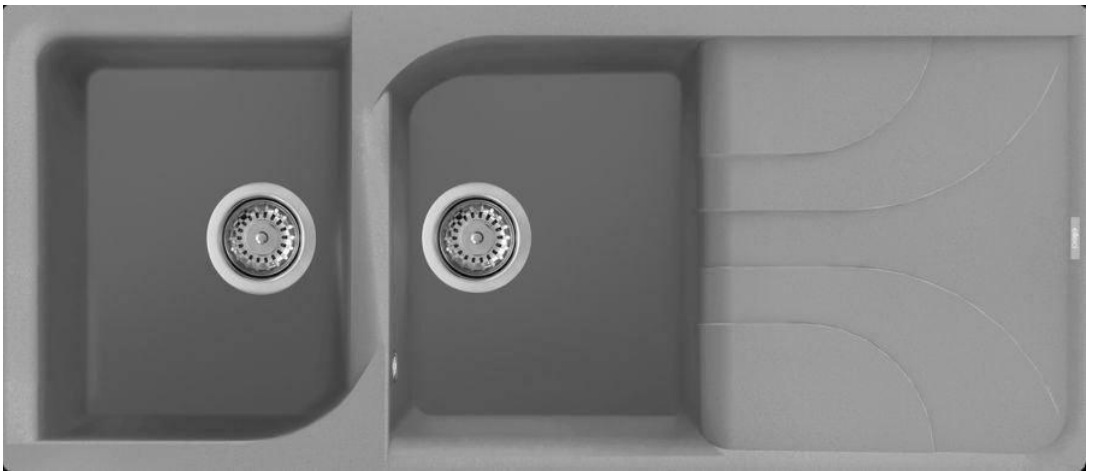


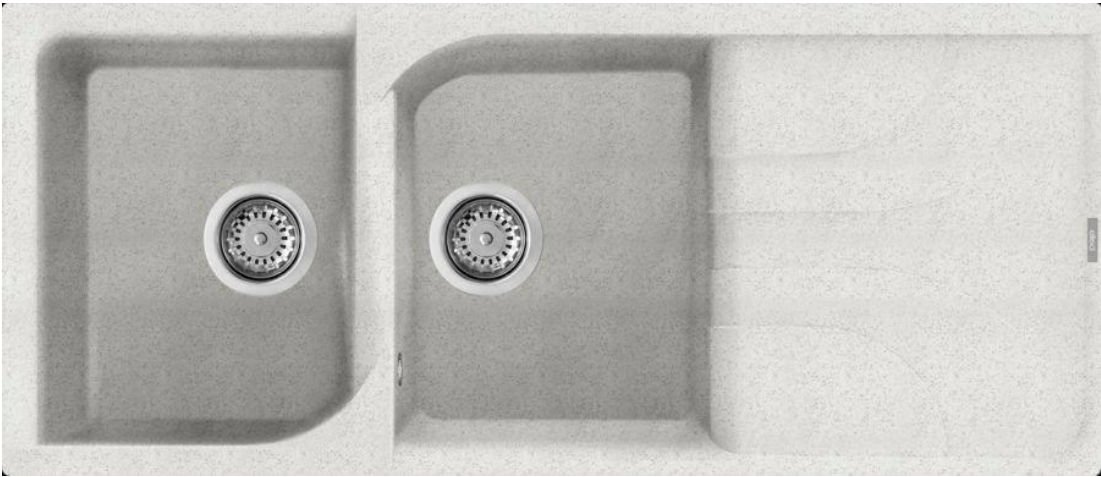
Ausschnitt Unterbau M 1:20



Ausschnitt übergreifend







Any color you want.



Nirvana Collection - Enveloping design

A collection of sinks designed to meet soft tastes. The lines that compose it are very light and form curves that give it an enveloping design. Each model can be combined with numerous accessories and multiple colors. Standard collection

Specifications

Size (mm) 1160 x 500, Recessed holes (mm) 1140 x 485

Bases (mm) 800, Bath depth (mm) 210

Depth second tub (mm) 210, Reversibility

Number of tanks 2, Standard installations

Sink kit: space-saving siphon, drains, pre-mounted hooks

Recommended mixers: Volta, Athena, Reno Granitek material

Granitek - Natural Granite Effect

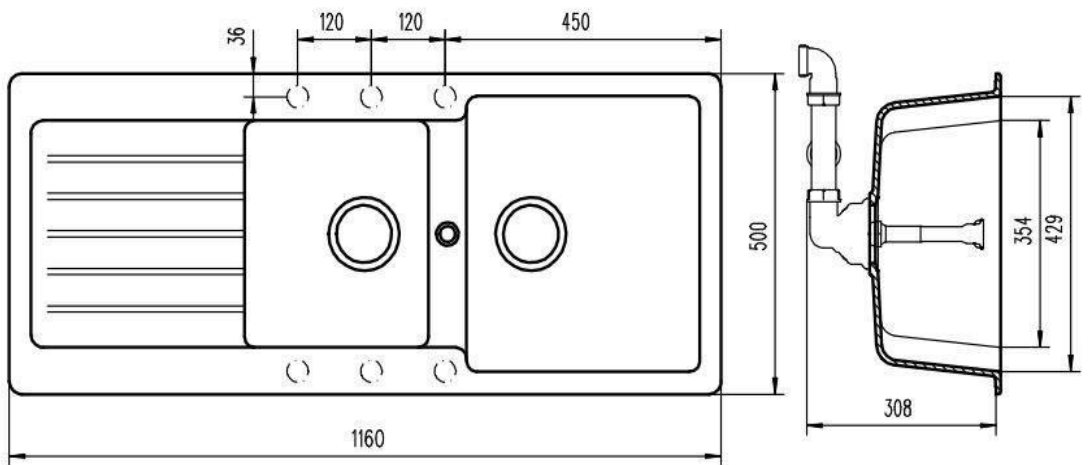
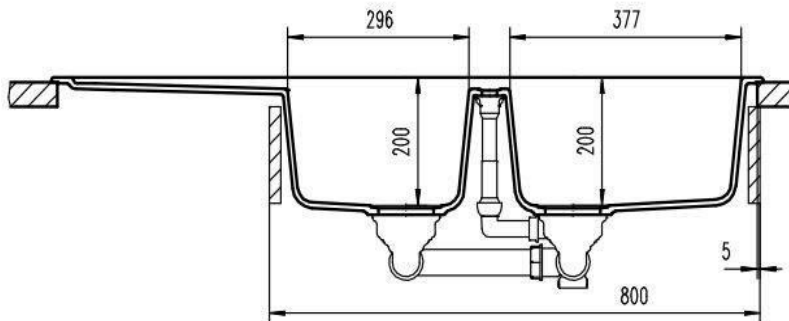
Granitek is obtained from the combination of natural granite and acrylic resin and, of granite, has the best qualities: high resistance to high temperatures, to shocks and to the most violent shocks and extreme ease of cleaning. The aesthetic appearance is thus similar to the effect of natural stone. It is subjected to ceramization, a particular process of coloring the granite particle. The painting does not only take place at the surface level but in the whole mass of the particle through a particular cooking process over 700 ° C of temperature which allows the color to penetrate up to the particle's core.

- Impact resistance
- Resistance to thermal shocks
- UV protection, does not fade over time
- Antibacterial protection

POLITEK
Banyo

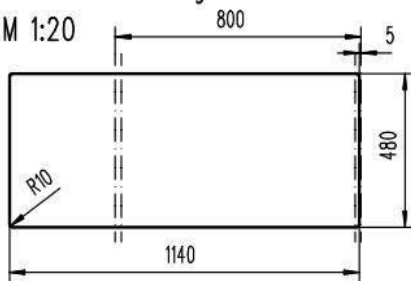


MOD: Marina 500

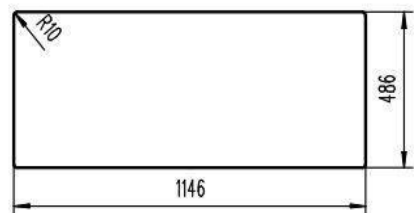


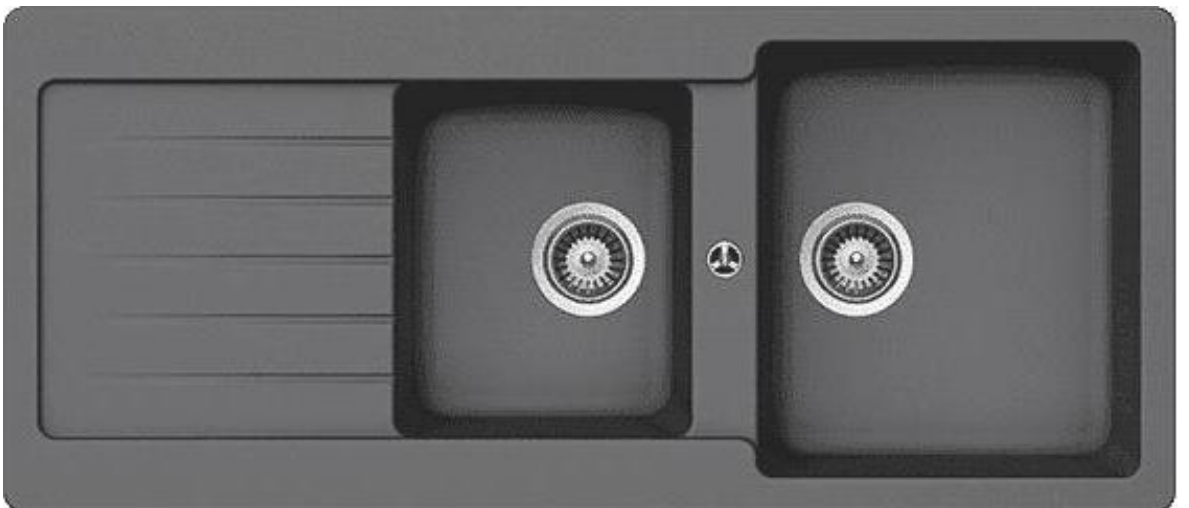
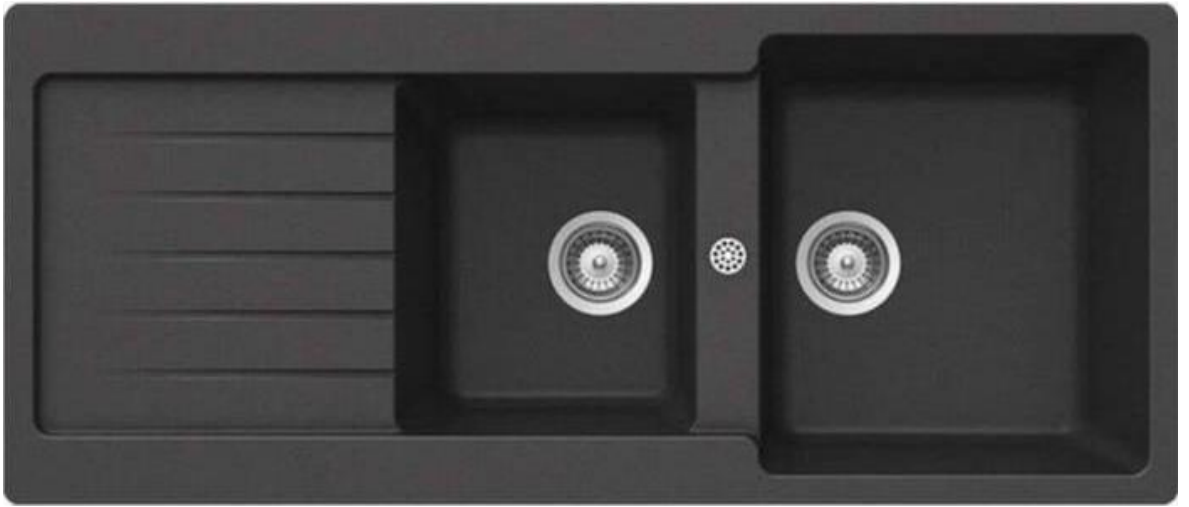
Ausschnitt übergreifend

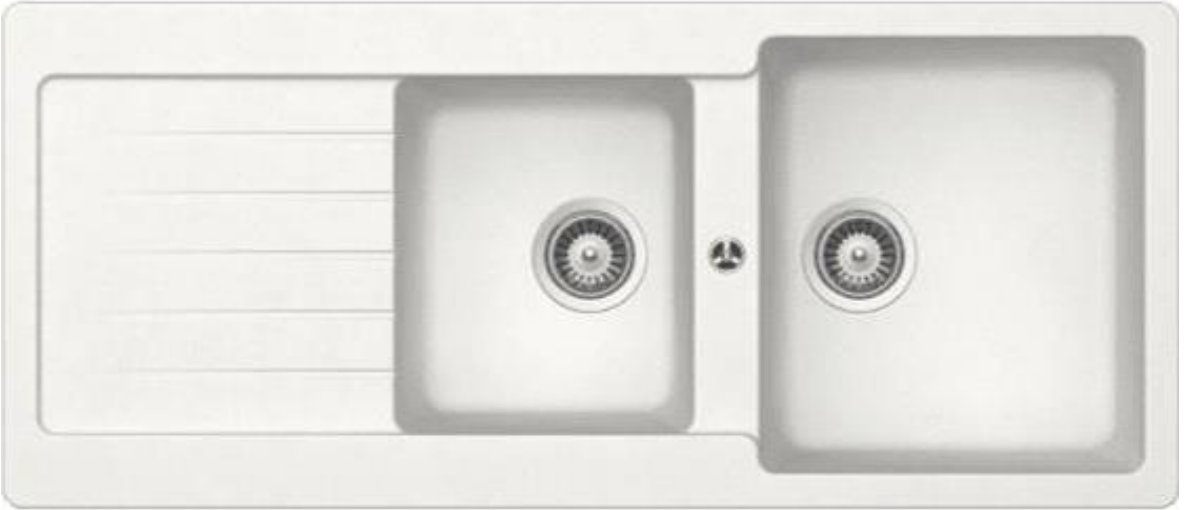
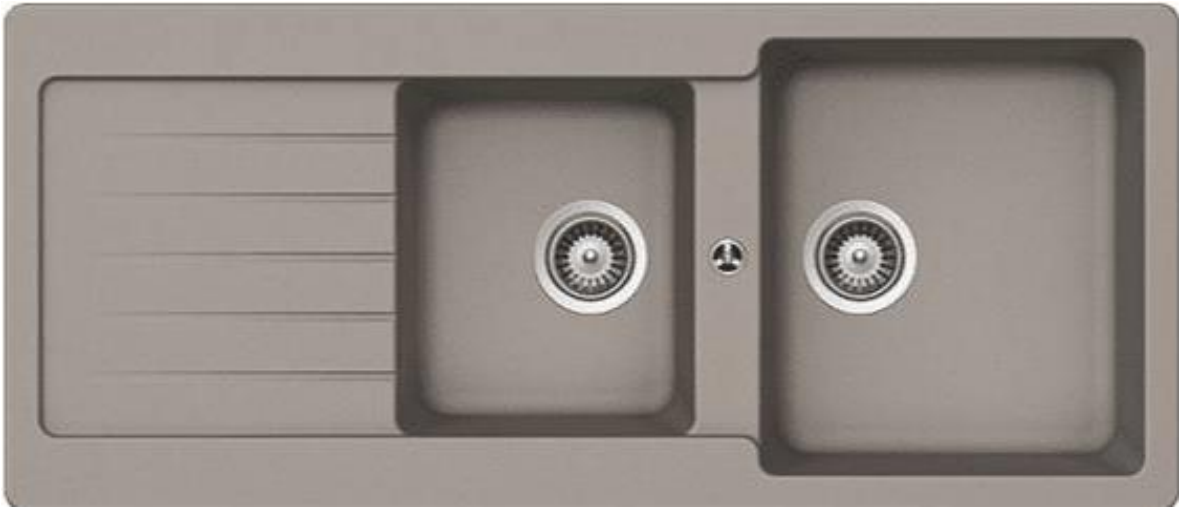
M 1:20



Ausschnitt Unterbau M 1:20







Any color you want.



Marina Collection - Enveloping design

A collection of sinks designed to meet soft tastes. The lines that compose it are very light and form curves that give it an enveloping design. Each model can be combined with numerous accessories and multiple colors. Standard collection

Specifications

Size (mm) 1160 x 500 , Recessed holes (mm) 1140 x 485
Bases (mm) 800, Bath depth (mm) 210 ,Depth second tub (mm) 210
Reversibility , Number of tanks 2 , Standard installations
Sink kit: space-saving siphon, drains, pre-mounted hooks
Recommended mixers: Volta, Athena, Reno
Granitek material

Granitek - Natural Granite Effect

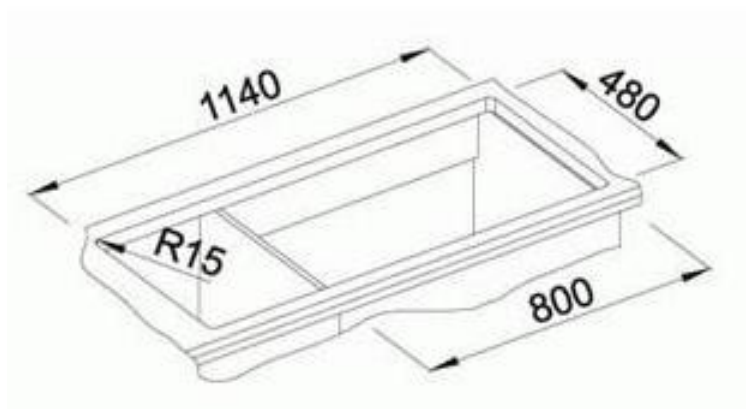
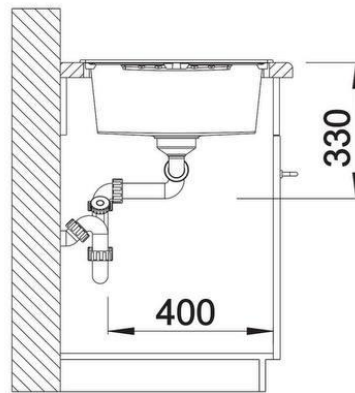
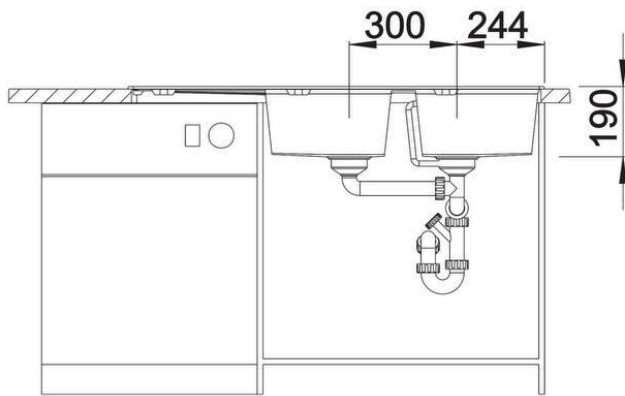
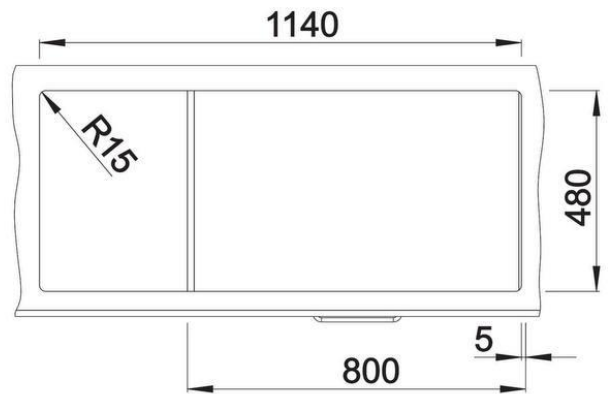
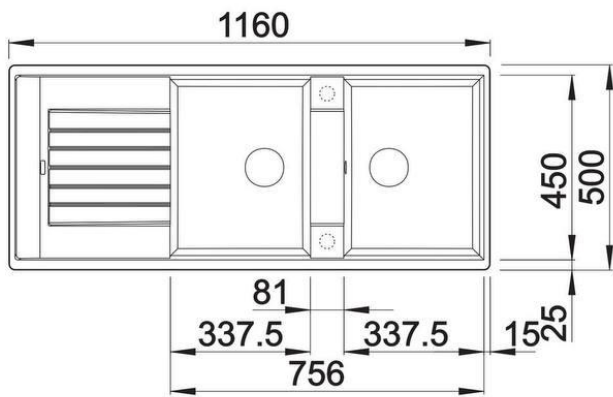
Granitek is obtained from the combination of natural granite and acrylic resin and, of granite, has the best qualities: high resistance to high temperatures, to shocks and to the most violent shocks and extreme ease of cleaning. The aesthetic appearance is thus similar to the effect of natural stone. It is subjected to ceramization, a particular process of coloring the granite particle. The painting does not only take place at the surface level but in the whole mass of the particle through a particular cooking process over 700° C of temperature which allows the color to penetrate up to the particle's core.

- Impact resistance
- Resistance to thermal shocks
- UV protection, does not fade over time
- Antibacterial protection

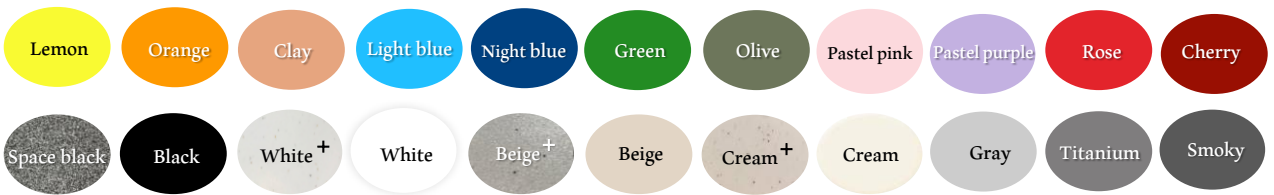
POLITEK
Banyo



MOD: YAPRAK 550







Any color you want.



YAPRAK Collection - Enveloping design

A collection of sinks designed to meet soft tastes. The lines that compose it are very light and form curves that give it an enveloping design. Each model can be combined with numerous accessories and multiple colors. Standard collection

Specifications

Size (mm) 1160 x 500 , Recessed holes (mm) 1140 x 485
Bases (mm) 800 , Bath depth (mm) 210 , Depth second tub (mm) 210
Reversibility , Number of tanks 2 , Standard installations
Sink kit: space-saving siphon, drains, pre-mounted hooks
Recommended mixers: Volta, Athena, Reno
Granitek material

Granitek - Natural Granite Effect

Granitek is obtained from the combination of natural granite and acrylic resin and, of granite, has the best qualities: high resistance to high temperatures, to shocks and to the most violent shocks and extreme ease of cleaning. The aesthetic appearance is thus similar to the effect of natural stone. It is subjected to ceramization, a particular process of coloring the granite particle. The painting does not only take place at the surface level but in the whole mass of the particle through a particular cooking process over 700 ° C of temperature which allows the color to penetrate up to the particle's core.

- Impact resistance
- Resistance to thermal shocks
- UV protection, does not fade over time
- Antibacterial protection

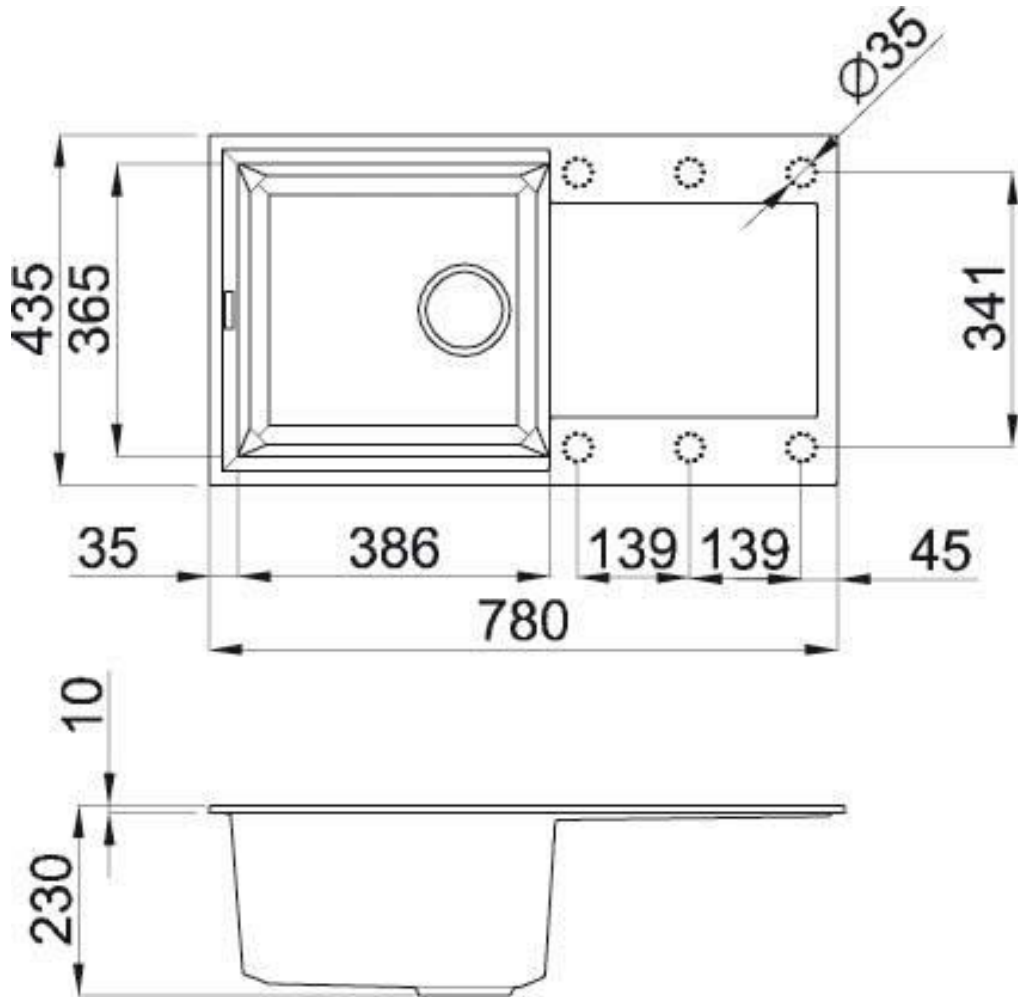


POLITEK
Banyo



POLITEK
Banyu

MOD: DENIZ 240



Any color you want.







DENIZ Collection - Enveloping design

A collection of sinks designed to meet soft tastes. The lines that compose it are very light and form curves that give it an enveloping design. Each model can be combined with numerous accessories and multiple colors. Standard collection

Specifications

Size (mm) 780 x 430 , Recessed holes (mm) 760 x 415

Bases (mm) 800 , Bath depth (mm) 210 , Depth second tub (mm) 210

Reversibility , Number of tanks 2 , Standard installations

Sink kit: space-saving siphon, drains, pre-mounted hooks

Recommended mixers: Volta, Athena, Reno

Granitek material

Granitek - Natural Granite Effect

Granitek is obtained from the combination of natural granite and acrylic resin and, of granite, has the best qualities: high resistance to high temperatures, to shocks and to the most violent shocks and extreme ease of cleaning. The aesthetic appearance is thus similar to the effect of natural stone. It is subjected to ceramization, a particular process of coloring the granite particle. The painting does not only take place at the surface level but in the whole mass of the particle through a particular cooking process over 700 ° C of temperature which allows the color to penetrate up to the particle's core.

- Impact resistance
- Resistance to thermal shocks
- UV protection, does not fade over time
- Antibacterial protection

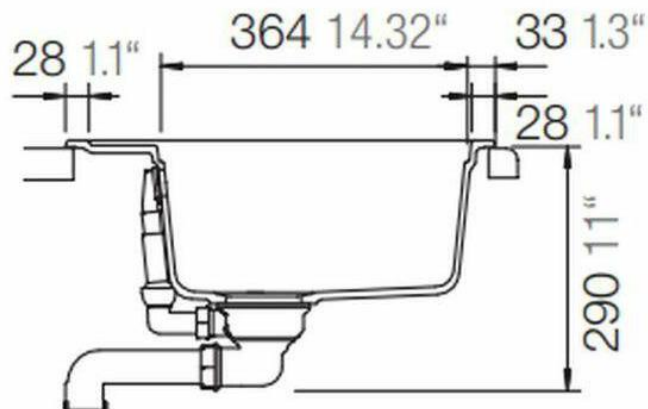
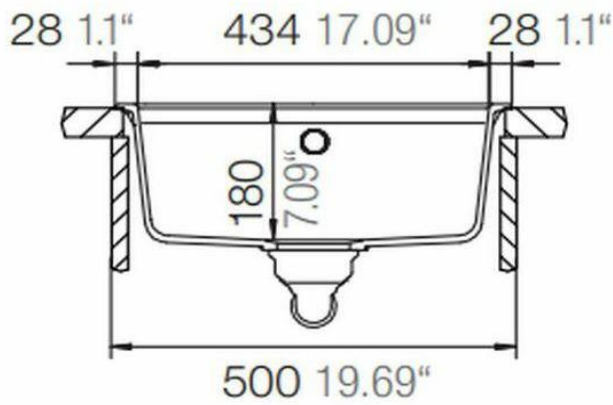
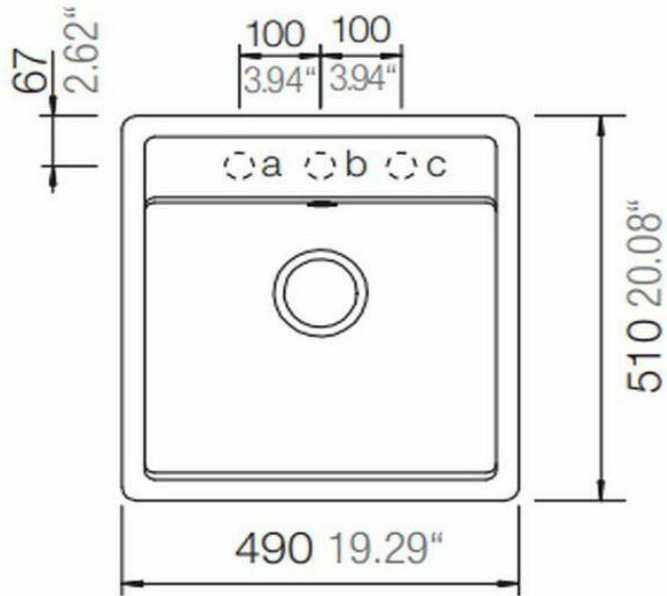
POLITEK
Banyo





POLITEK
Banyo

MOD: Talia 140





Any color you want.



Talia Collection - Enveloping design

A collection of sinks designed to meet soft tastes. The lines that compose it are very light and form curves that give it an enveloping design. Each model can be combined with numerous accessories and multiple colors. Standard collection

Specifications

Size (mm) 510 x 490, Recessed holes (mm) 434 x 364

Bases (mm) 800, Bath depth (mm) 210

Depth second tub (mm) 210, Reversibility

Number of tanks 2, Standard installations

Sink kit: space-saving siphon, drains, pre-mounted hooks

Recommended mixers: Volta, Athena, Reno Granitek material

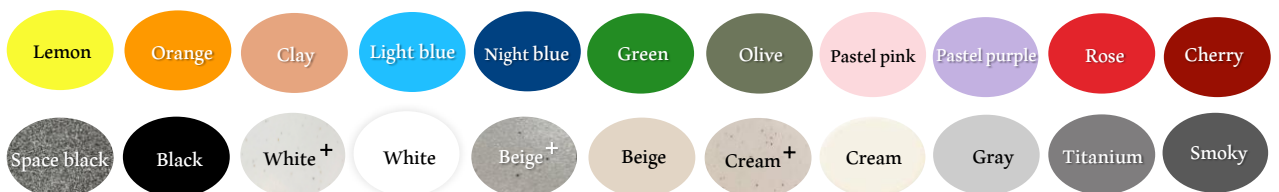
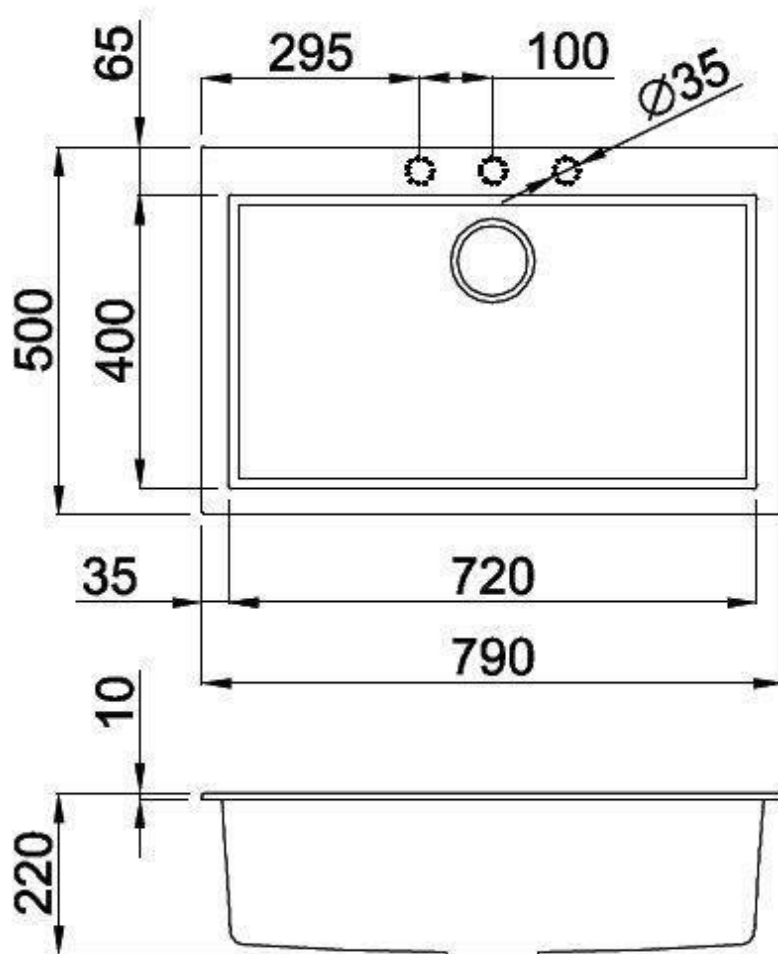
Granitek - Natural Granite Effect

Granitek is obtained from the combination of natural granite and acrylic resin and, of granite, has the best qualities: high resistance to high temperatures, to shocks and to the most violent shocks and extreme ease of cleaning. The aesthetic appearance is thus similar to the effect of natural stone. It is subjected to ceramization, a particular process of coloring the granite particle. The painting does not only take place at the surface level but in the whole mass of the particle through a particular cooking process over 700 ° C of temperature which allows the color to penetrate up to the particle's core.

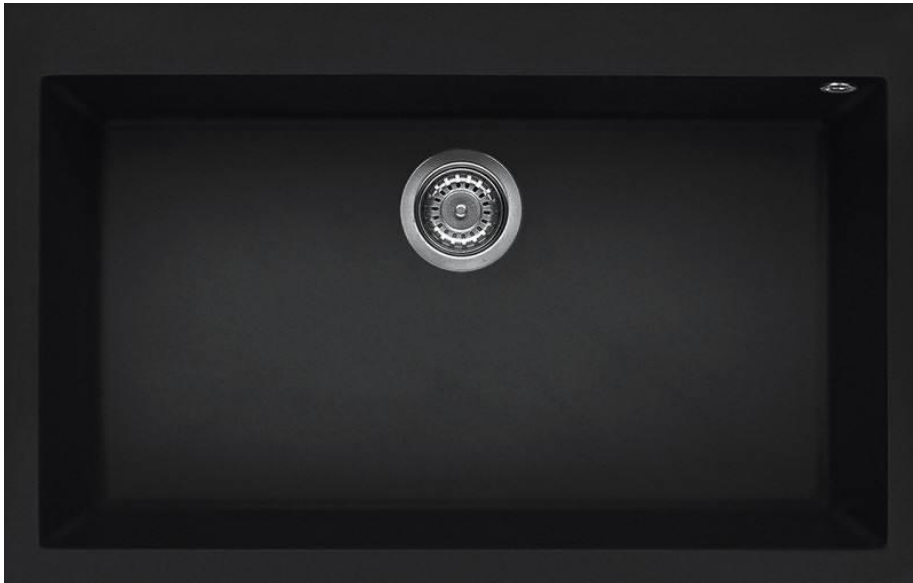
- Impact resistance
- Resistance to thermal shocks
- UV protection, does not fade over time
- Antibacterial protection



MOD: Tamira 280



Any color you want.









Tamira Specifications

Size (mm) 790 x 500

Recessed holes (mm) 770 x 480

Bases (mm) 800

Bath depth (mm) 200

Number of tanks 1

Standard installations

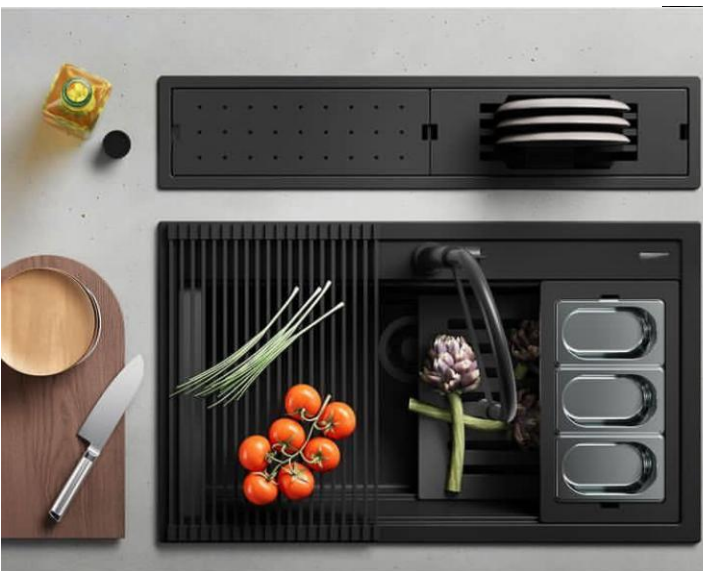
Sink kit: space-saving siphon, drain, pre-mounted hooks

Mixer area: available 58 mm

1000% high definition for an incredible visual experience with colors that never fade. A complete aesthetic integration between sink, top and kitchen.

A new tactile experience: an even smoother surface to facilitate cleaning operations.

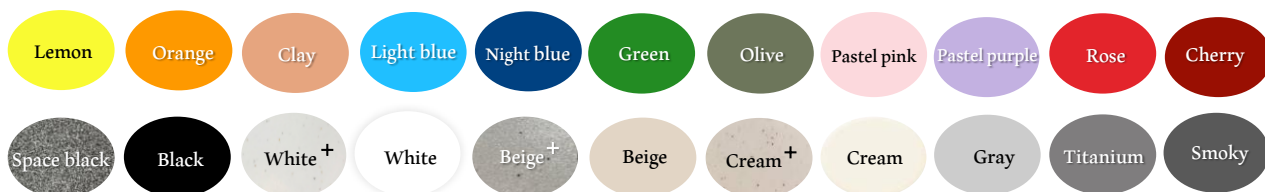
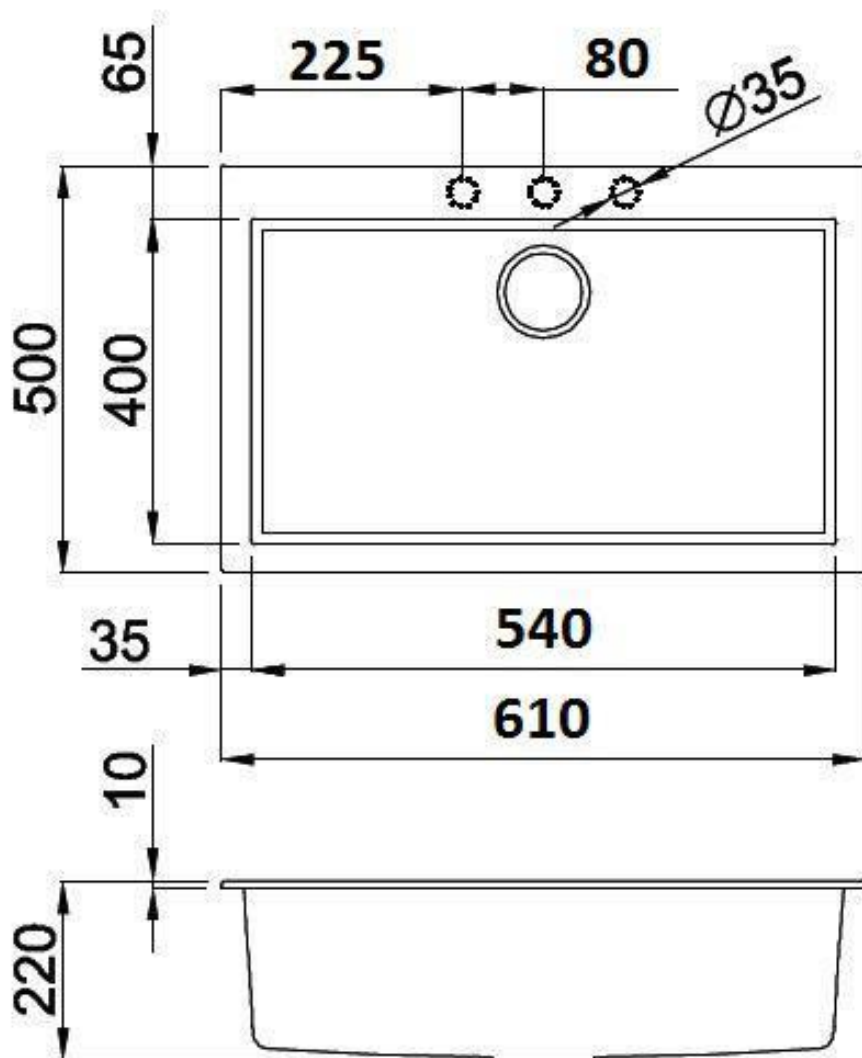
- 100% water-repellent stain-resistant
- Greater resistance to thermal shocks (+ 50%)
- UV protection, does not fade over time
- Smoother, harder, abrasion resistant
- Increased impact resistance
- Antibacterial protection



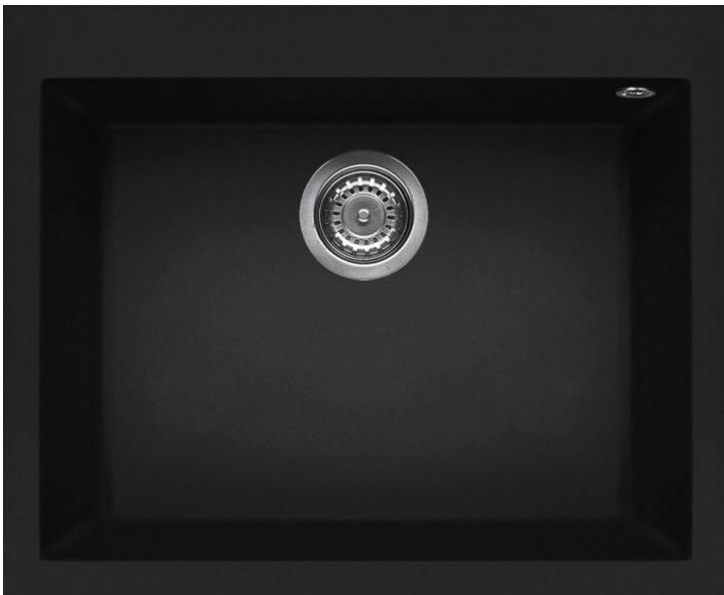
POLITEK
Banyo

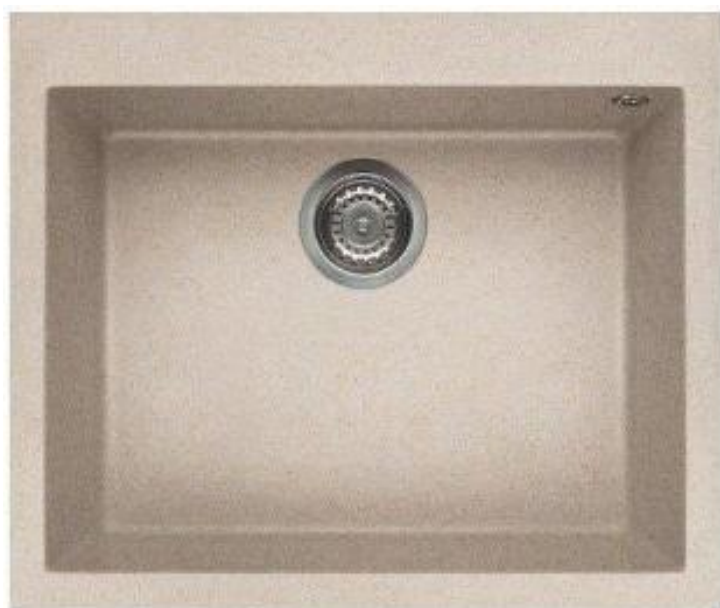


MOD: CHICHEK 170



Any color you want.







CHICHEK Collection - Enveloping design

A collection of sinks designed to meet soft tastes. The lines that compose it are very light and form curves that give it an enveloping design. Each model can be combined with numerous accessories and multiple colors. Standard collection

Specifications

Size (mm) 610 x 500 , Recessed holes (mm) 590 x 480

Bases (mm) 800 , Bath depth (mm) 210 , Depth second tub (mm) 210

Reversibility , Number of tanks 2 , Standard installations

Sink kit: space-saving siphon, drains, pre-mounted hooks

Recommended mixers: Volta, Athena, Reno

Granitek material

Granitek - Natural Granite Effect

Granitek is obtained from the combination of natural granite and acrylic resin and, of granite, has the best qualities: high resistance to high temperatures, to shocks and to the most violent shocks and extreme ease of cleaning. The aesthetic appearance is thus similar to the effect of natural stone. It is subjected to ceramization, a particular process of coloring the granite particle. The painting does not only take place at the surface level but in the whole mass of the particle through a particular cooking process over 700 ° C of temperature which allows the color to penetrate up to the particle's core.

- Impact resistance
- Resistance to thermal shocks
- UV protection, does not fade over time
- Antibacterial protection

POLITEK
Banyo

GRANITEK-SINK

Best Material

Handmade By PoliTek

POLITEK
Banyo

POLITEK
Banyo





Wash the sink daily with a nylon brush and gentle soap (dishwashing soap is fine).
Rinse the sink thoroughly and wipe it with a soft cloth after use (or at least daily) to prevent stains and deposits.
Do not use abrasive cleaning tools or solutions.
Use a special cleaning product like Barkeeper's Friend or natural cleansers like vinegar on a regular basis
Wipe down with a small amount of cooking oil for shine after cleaning.



POLITEK
Banyo




Heat resistant; will not fade or discolor when exposed to high heat
Resists scratching, acid, chipping, water spots, and staining
Abundant matte color options (brown is especially popular and difficult to find in other materials)

Look and durability of natural
Stone at a fraction of the price

Every piece is unique

May be chiseled, carved, sculpted, or smooth



EASY TO CLEAN

WATER REPELLENT

IMPACT RESISTANT

THERMAL SHOCK RESISTANT

MADE TO LAST

HYGIENE GUARD

NSF

Keratek-Plus is certified for the requirements of NSF/ANSI 51 Food Equipment Material

GREENGUARD GOLD

Product certified for low chemical emissions
ul.com/gg ul 2818

POLITEK
Banyo